



# GEMINI T

## RGB GLASS-WING MID-TOWER

GEMINI T IS NOT DIFFERENT. IT'S BETTER. THIS NEW CASE FROM COUGAR BREAKS CONVENTIONS WITH AN INTELLIGENT DESIGN THAT COMBINES PERFORMANCE AND INNOVATION IN A GORGEOUS RGB-LIT PACKAGE WITH VERTICAL GPU SUPPORT.

**TRELUX RGB LIGHTING**  
COUGAR's new Trelux technology provides Gemini T with a powerful lighting system of its own: three long RGB-powered lenses cover the front and top of the case. Trelux's dynamic RGB capabilities will amaze everybody!  
Controllable directly through a convenient front panel button, Trelux can also work connected to a COUGAR Core Box v2 or compatible motherboards' 5V connection for enhanced compatibility and integration.

**GLASS WINGS**  
Two massive gull-wing tempered glass side panels flank Gemini T. This unique design gives you a clear view of the computer's components and makes tool-less maintenance very convenient. Apart from cooling, the two side fans facing the glass window allow you to set up a fantastic lighting spectacle inside Gemini T!

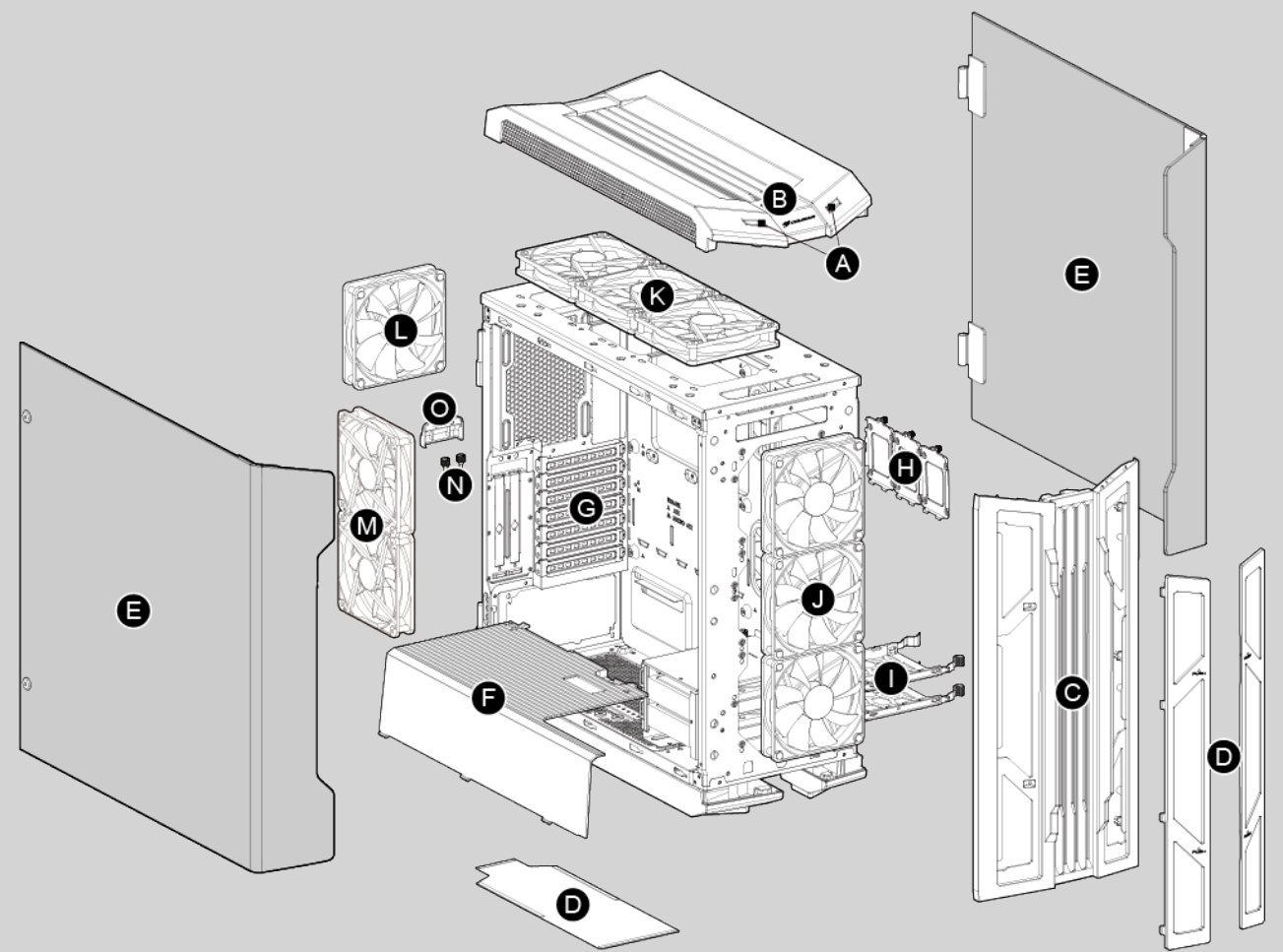
**VERTICAL GPU SUPPORT**  
Gemini T is both about performance and aesthetics. To bring your system's awesomeness to the limit, Gemini T supports vertical GPU installation. This joins the two supported side fans to produce one of the most incredible side windows a PC case has ever had.

**INTELLIGENT COOLING**  
Up to seven fans and three water cooling radiators match Gemini T's support for the latest components with top-end cooling capabilities.  
Two big frontal vents with detachable filters guarantee a clear air intake, while two side vents on both sides of the top cover create an excellent way for the exhaust to leave the case without dust getting in.

Case Type	Mid Tower
Motherboard Type	Mini ITX / Micro ATX / ATX / CEB
Dimensions	227 (W) x 535 (H) x 527 (D)mm / 8.9 (W) x 21.0 (H) x 20.7 (D)inch
Case Drive Bays	3.5" : 2
I/O Panel	USB 3.1 Type C x 1, USB3.0 x 2, Mic x 1, Audio x 1, RGB Control Button
Cooling Fan Support	Front : 120mm x 3 / 140mm x 2 (1 x 120mm fan pre-installed) Top : 120mm x 3 / 140mm x 2 Rear : 120mm x 1 (pre-installed) Side : 120mm x 2 (Choose either of front or side to install fans)
Maximum Number of Fans	7 Max.
Water Cooling Radiator Support	Front : 360mm / 280mm / 240mm / 140mm / 120mm Top : 240mm / 120mm Rear : 120mm Side : 240mm / 120mm (Choose either of front or side to install radiators)
Expansion Slots	7+2
Max. Graphic Card Length	400mm / 15.7inch
Max. CPU Cooler Height	170mm / 6.7inch
Max. PSU Length	200mm / 7.9inch
PSU	Standard ATX PS2
Onboard Lighting System	Trelux Lighting with Addressable RGB LEDs and Dynamic Lighting Effects in the Front and Top Panels
Cable Management	Yes

Specifications might vary depending on the country or region of sale.

## Assembly Drawing



- A** Power button / RGB Control Button
- B** Type-C , USB3.0 x 2 , Mic x 1, Audio x 1
- C** Removable front panel
- D** Fan filters to prevent dust from getting into the chassis
- E** Gull-Wing Opening Tempered Glass Side Panels
- F** Power supply cover
- G** Vented slots
- H** 2.5" HDD/SSD trays
- I** 3.5" HDD trays
- J** 2 x 140 / 3 x 120mm fans for front panel (1 x 120mm fan pre-installed)
- K** 2 x 140 / 3 x 120mm fans for top panel (optional, purchased separately)
- L** 1 x 120mm fan for rear panel (1 x 120mm fan pre-installed)
- M** 2 x 120mm fan for side panel (optional, purchased separately)
- N** Thumb screws
- O** Slot cover

### Installing the Front I/O Connectors

USB 3.1 TYPE C	USB 3.0	HD AUDIO	POWER	POWER SW	POWER LED	LIGHTING CONTROL

## FEATURES

### ENGLISH

- Trelux RGB System with 5V RGB Motherboard Synchronization
- Support for Vertical GPU (up to 400mm-long)
- Mini ITX / Micro ATX / ATX / CEB Motherboard Support
- Gull-Wing Opening Tempered Glass Side Panels
- Intelligent Cooling Design with Big Front Vents and Upper Side Vents
- Up to Seven Fans
- Up to Three Radiators (Frontal Radiator Max. Length 360mm )
- Up to Three 425mm Graphics Cards
- Convenient Upgrades and Maintenance

### DEUTSCH

- Trelux' RGB-System mit 5-V-RGB-Motherboard-Synchronisierung
- Unterstützt vertikale GPU (Länge bis 400 mm)
- Unterstützt Mini ITX / Micro ATX / ATX / CEB Motherboard
- Seitenblenden aus Hartglas mit Knickflügelöffnung
- Intelligentes Kühldesign mit großen Belüftungsöffnungen an Vorder- und Oberseite
- Bis zu Sieben Lüfter
- Bis zu Drei Kühlkörper (max. Länge des vorderen Kühlkörpers beträgt 360 mm)
- Bis zu drei 425 mm lange Grafikkarten
- Komfortable Aufrüstung und Wartung

### РУССКИЙ

- Система Trelux RGB с синхронизацией RGB при подключении к материнской плате (5V)
- Поддержка вертикальной установки графической карты (длиной до 400 мм)
- Поддержка форматов Mini ITX / Micro ATX / ATX / CEB
- Боковое «крылатое» открытие панелей из закаленного стекла
- Интеллектуальная система охлаждения с вентиляторами в передней и верхней части корпуса
- До Семь вентиляторов
- До три радиаторов (фронтальный радиатор максимальной длиной 360 мм)
- До трех 425-мм графических карт
- Удобное обновление и поддержка

### ESPAÑOL

- Sistema de Iluminación RGB Trelux (Soporta Sincronización de 5v RGB con Placa Base)
- Soporta Instalación Vertical de GPU (Hasta 400mm de Longitud)
- Soporta Placa Madre Mini ITX / Micro ATX / ATX / CEB
- Paneles Laterales de Vidrio Templado con Diseño de Ala de Gaviota
- Diseño de Refrigeración Inteligente con Dos Grandes Respiraderos Frontales y Dos Respiraderos en los Flancos de la Cubierta Superior
- Hasta Siete Ventiladores
- Hasta Tres Radiadores (Longitud Máxima del Radiador Frontal: 360mm)
- Hasta Tres Tarjetas Gráficas de 425mm de Longitud
- Actualizaciones y Mantenimiento Fáciles y Rápidos

### FRANÇAIS

- Système RVB Trelux avec synchronisation de carte mère RVB 5 V
- Prise en charge de GPU vertical (jusqu'à 400 mm de long)
- Prise en charge de cartes mères Mini ITX / Micro ATX / ATX / CEB
- Panneaux latéraux en verre trempé à ouverture papillon
- Conception intelligente du refroidissement avec grandes fentes d'aération à l'avant et fentes d'aération latérales en hauteur
- Jusqu'à Sept ventilateurs
- Jusqu'à Trois radiateurs (Longueur max. du radiateur avant 360 mm)
- Jusqu'à trois cartes graphiques de 425 mm
- Mises à niveau et maintenance pratiques

### PORTUGUÊS

- Sistema Trelux RGB com Sincronização de Placa-mãe 5v RGB
- Suporte para GPU Vertical (até 400mm de comprimento)
- Suporte para Placa-mãe Mini ITX / Micro ATX / ATX / CEB
- Painéis Laterais de Vidro Temperado de Abertura Tipo Asa
- Design de Refrigeração Inteligente com Ventoinhas Grandes Frontais e Ventoinhas Grandes Superiores
- Até Sete Ventoinhas
- Até Três Radiadores (Radiador Frontal Max. 360mm de Comprimento)
- Até Três Placas Gráficas de 425mm
- Atualização e Manutenção Convinientes

### ITALIANO

- Sistema Trelux RGB con sincronizzazione scheda madre RGB 5v
- Supporto per GPU verticale (fino a 400 mm di lunghezza)
- Supporto per scheda madre Mini ITX / Micro ATX / ATX / CEB
- Pannelli laterali in vetro temperato con apertura ad ala di gabbiano
- Design di raffreddamento intelligente con grandi bocchette di ventilazione anteriori e bocchette laterali superiori
- Fino a Sette ventole
- Fino a Tre radiatori (lunghezza massima del radiatore frontale 360 mm)
- Fino a tre schede grafiche da 425 mm
- Aggiornamenti e manutenzione convenienti

### POLISH

- System RGB Trelux z synchronizacją podświetlenia płyty głównej RGB 5V
- Obsługa pionowego montażu karty graficznej (o długości do 400 mm)
- Obsługa płyt głównych Mini ITX / Micro ATX / ATX / CEB
- Otwierane skrzydłowo panele boczne ze szkła hartowanego
- Inteligentny układ chłodzenia z dużymi wentylatorami z przodu i na górze boków
- Maks. Siedem wentylatorów
- Maks. Trzy radiatorów (przedni radiator o maks. długości 360 mm)
- Maks. trzy karty graficzne 425 mm
- Wygodna rozbudowa i konserwacja

### 한국어

- 5V RGB 마더 보드 동기화 기능이 있는 Trelux RGB 시스템
- 수직 GPU 지원 (최대 400mm 길이)
- Mini ITX / Micro ATX / ATX / CEB 마더 보드 지원
- 위로 펼쳐 열리는 걸 왕식의 강화 유리 측면 패널
- 대형의 전면 및 상부측 통풍구를 이용한 지능형 냉각 설계
- 최대 7 개의 팬
- 최대 3 개의 라디에이터 (전면 라디에이터 최대 길이 360mm)
- 최대 3 개의 425mm 그래픽 카드
- 편리한 업그레이드 및 유지 관리

### HUNGARIAN

- Trelux RGB rendszer 5 V-os RGB alaplap-szinkronizálással
- Függetlenes GPU támogatása (max. 400 mm hosszúsággal)
- Mini ITX / Micro ATX / ATX / CEB alaplap támogatása
- Sirályszárnyas, edzett üvegből készült oldalsó panelek
- Intelligens hűtőrendszer nagy méretű elülső és felső-oldalsó szellőzőnyílásokkal
- Maximum Hét ventilátor
- Maximum Három hűtőelem (az elülső hűtőelem maximális hosszúsága 360 mm)
- Maximum három 425 mm-es grafikus kártya
- Kényelmes bővíthetőség és karbantartás

### 中文

- Trelux RGB系统支援5V主机板灯效同步控制功能
- 支援显卡垂直安装(最高长度可达400mm)
- 支援Mini ITX / Micro ATX / ATX / CEB 主机板
- 鸥翼式钢化玻璃侧窗
- 智能散热设计搭配大型通风孔
- 最高支援7 个风扇
- 最高可安装 3 个水冷散热器(前板支援最大长度 360mm 水冷排)
- 最高可安装 3组 425mm 显卡
- 方便升级、轻松维护

### 日本語

- "Trelux RGB" システムは5VのマザーボードのRGB効果に同期します。
- グラフィックカードを垂直に取付できます。(最大400mmまで対応可能)
- Mini ITX / Micro ATX / ATX / CEB マザーボードに対応しています。
- ガルウイングオープニング強化ガラスサイドウィンドウパネル装備
- 大きなフロントベントと上部サイドベントによって優れた放熱効果を確保します。
- Maximum 7 個のファンを装着できます。
- 3 つの水冷ラジエーターを装着可能です。(フロントは360mmの水冷ラジエーターを装着可能)
- 最大3つの425mmグラフィックカードに対応できます。
- アップグレードとメンテナンスが容易です。

**ДАТА ИЗГОТОВЛЕНИЯ ПРОДУКЦИИ**  
год и месяц изготовления продукции указаны в серийном номере продукта. (существует 2 способа определения даты изготовления, оба способа описаны ниже)

**A** После S/N: первые две цифры означают год, вторые две – месяц изготовления. Например, S/N: H1702000001 означает, что товар был произведен в феврале 2017 года.

**B** После S/N: если указаны буквы, то две буквы представляют цифры из таблицы ниже, и означают год, последующие две цифры – месяц изготовления. Например, S/N: DAG02REVI000001 означает, что товар был произведен в феврале 2017 года.

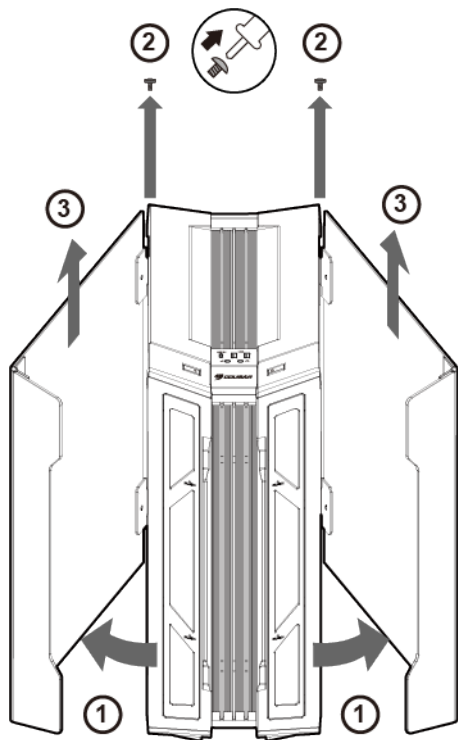
A	B	C	D	E	F	G	H	I	J
1	2	3	4	5	6	7	8	9	0

• Например, AG = 17 = 2017 год

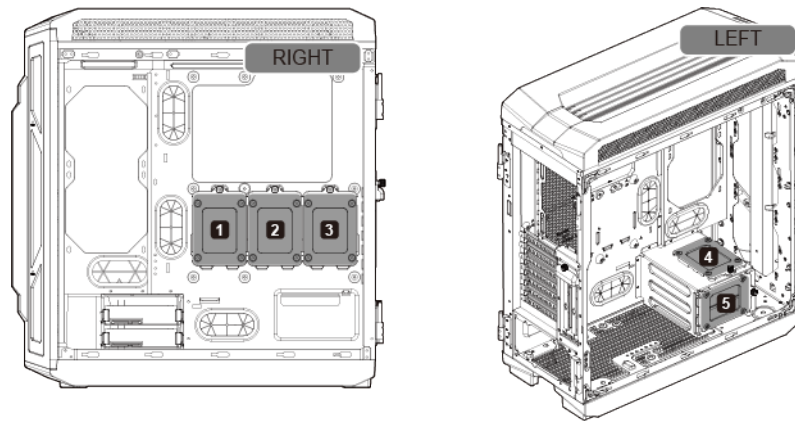
تعليمات التركيب و الأمان:  
• عند التركيب أو التفكيك يجب التأكد من أن جميع الأسلاك مفضولة عن الكهرباء.  
• يجب اتخاذ الاحتراوات اللازمة لمنع الصعق الكهربائي.  
• يجب ارتداء الملابس المناسبة أثناء تركيب/تجميع الكمبيوتر.

**GLOBAL WARRANTY POLICY**  
**WARRANTY PERIODS OF COUGAR GAMING DEVICES**  
Product : COUGAR Gemini T  
Warranty : 1 Year  
• This warranty gives you specific legal rights. You may also have other rights granted under local law. These rights may vary.  
• Only for electrical components.

Removing the side panels

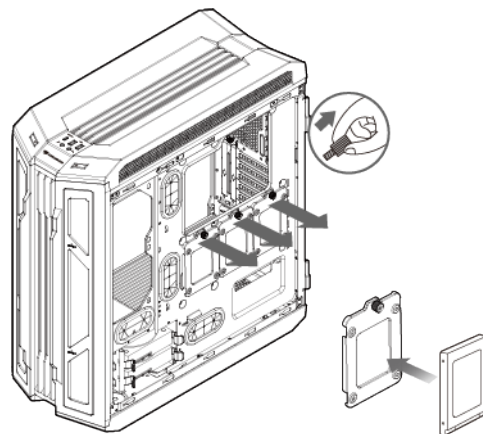


Installing an internal 2.5" HDD/SSD

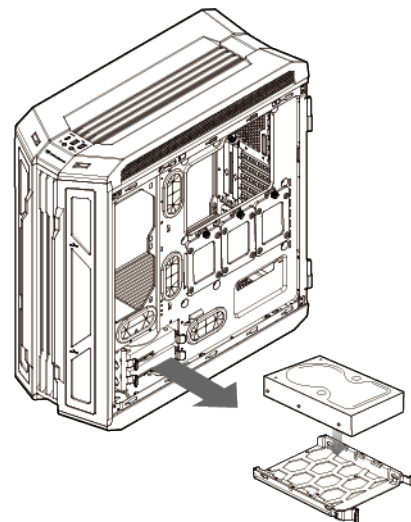
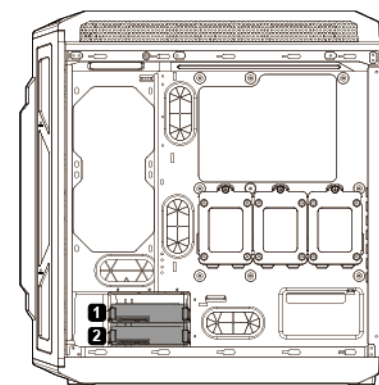


2.5" Storage Device Installation:

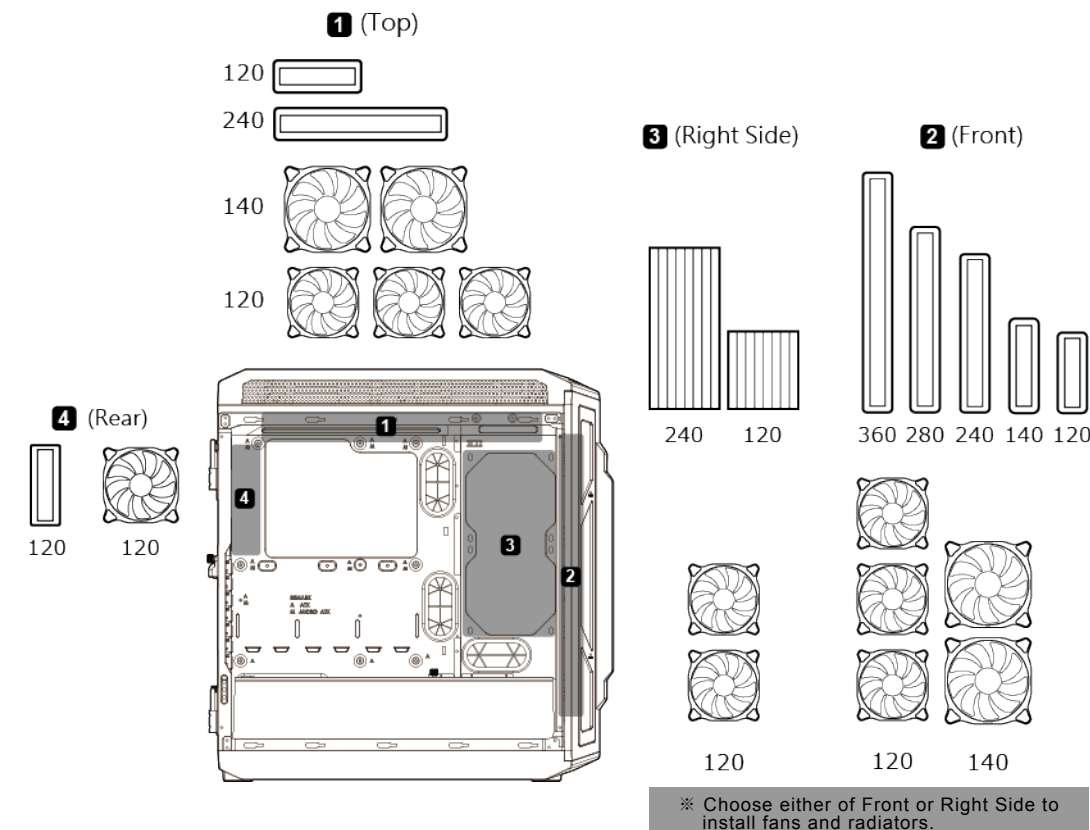
Three brackets for installing 2.5" SSD are included. Please choose three of the five numbered locations shown in the pictures above to install them. Only three SSDs may be installed simultaneously. SSD brackets are not sold separately.



Installing an internal 3.5" HDD

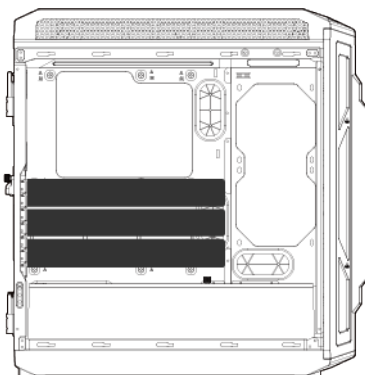


Installing water cooling radiators & cooling fans

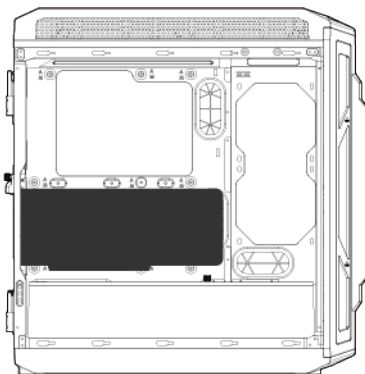


Installing PCI-E cards

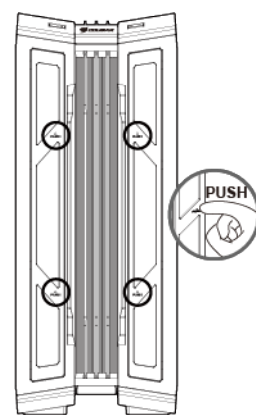
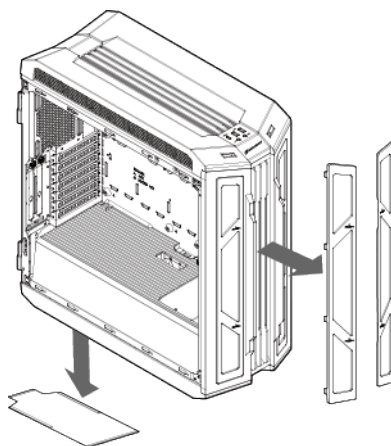
Up to three 425mm graphics cards



Support for one vertical graphics card up to 400mm-long

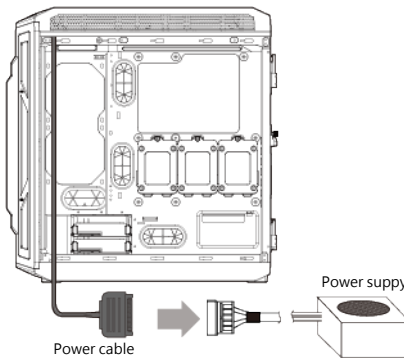


Removing the dust filters

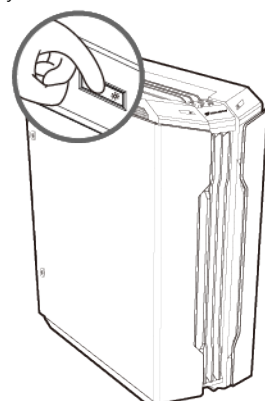


Gemini T's Trelux lighting system offers you several ways to control it:

Please connect the power cable of the I/O panel to an appropriate SATA connector from the PSU in order to use the case's lighting functionality.

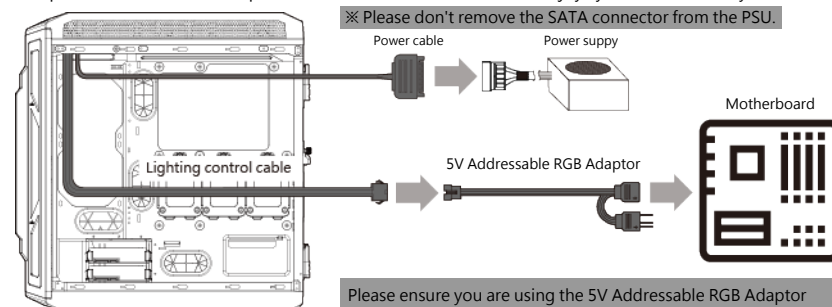


**First Mode: Lighting Button**  
You can use the front panel's dedicated button to switch between the fourteen beautiful lighting effects we have preset for you.



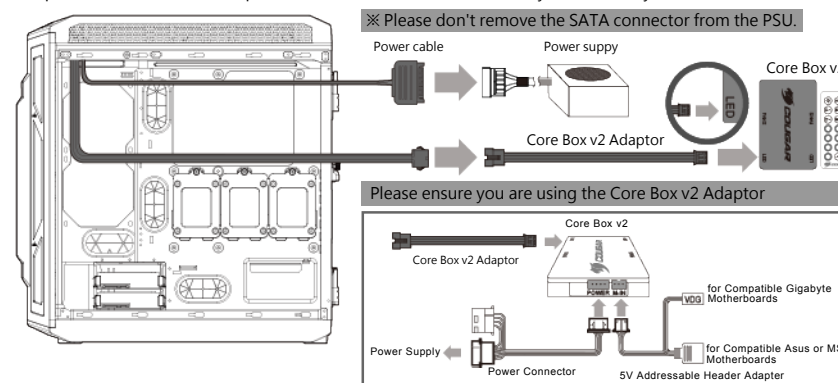
**Second Mode: Motherboard Synchronization**

Second, you can use the included adaptor (see picture below) to connect the Trelux system to a compatible motherboard's 3-pin 5V Addressable RGB header and enjoy system-wide RGB synchronization.



**Third Mode: Core Box v2**

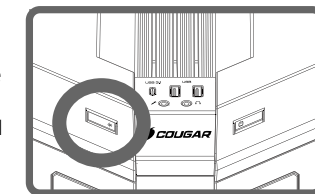
You can also benefit from integrated control of Gemini T's Trelux lighting system, up to eight fans and two RGB LED Strips by connecting the case with the included adaptor to a COUGAR Core Box v2 (sold separately). This control box will allow you to enjoy 100 different synchronized lighting effects in all the above devices and manage them through the remote controller. As an alternative, you can also connect the Core Box v2 to a compatible motherboard's 3-pin 5V Addressable RGB header for system-wide synchronization.



Note: When using the Trelux lighting in the second or third modes, the lighting control button will have no functionality assigned to it.

Lighting Mode Indicator

When using the first lighting mode (i.e., control through the I/O panel's button), the lighting control button to the left of the I/O panel will be lit. When using the second or third mode, the LED of the lighting control button will be off.



ACCESSORY KIT

		Motherboard / HDD screws	X 18
		SSD screws	X 12
		Power supply screws	X 5
		Stand-off	X 2
		Cable ties	X 4
		Cable hook	X 1
		5V Addressable RGB Adaptor	X 1
		Core Box v2 Adaptor	X 1

COUGAR USA Technical Service  
Tel: (833) 256-3778  
Mail: rma@compucaseusa.com  
https://cougargaming.com/support/contact/upload/

For more information, please visit  
[www.cougargaming.com](http://www.cougargaming.com)  
Compucase Enterprise Co., Ltd.  
All rights reserved.

Compucase Enterprise Co., Ltd.  
No. 225, Lane 54, An Ho Road Sec. 2 Tainan, Taiwan, R.O.C  
Tel: +886-6-356-0606  
Service E-Mail: service@cougargaming.com

CE Made in China